

2017 Varsity GISA State Tournament

2017 GISA State Tournament

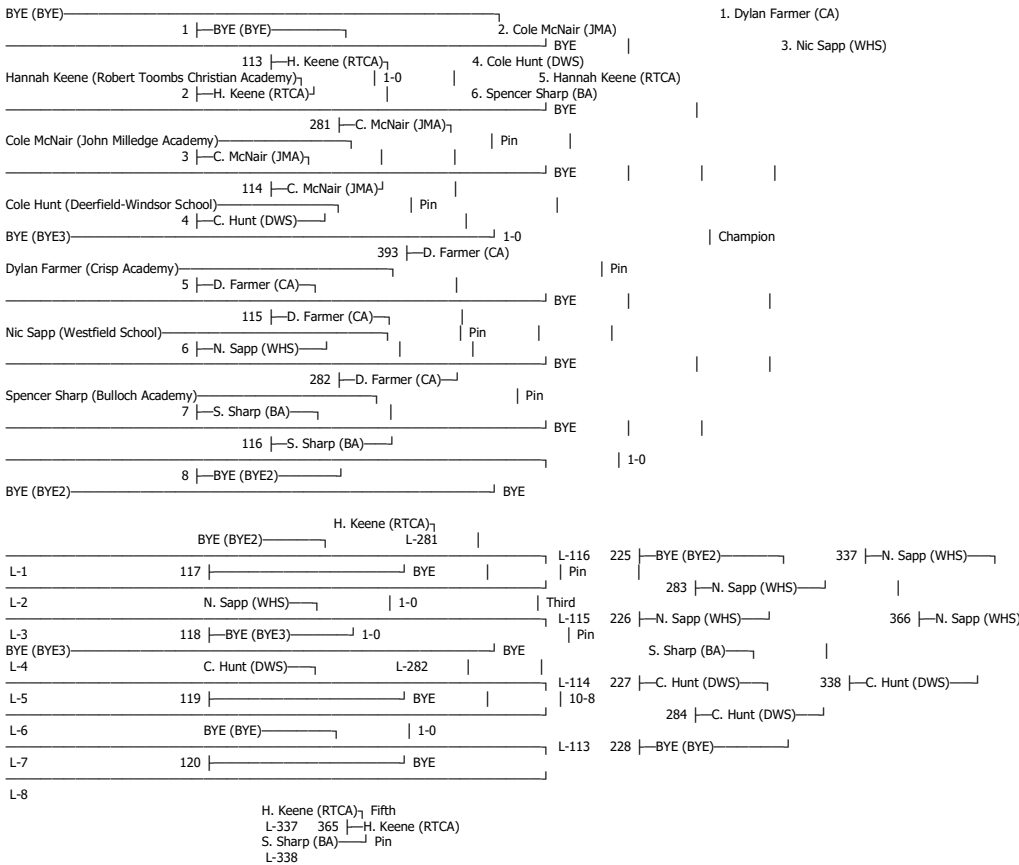
Jump to [Team scores](#)

Jump to bracket:			
106	113	120	126
132	138	145	152
160	170	182	195
220	285		

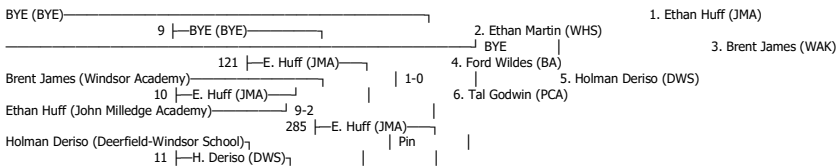
Team scores ([back to top](#))

Team name	Score	Finalists	Placers	Wins	Losses	P Falls	T Falls	M Decs
Bulloch Academy (BA)	312.5	9	14	53	9	28	1	0
Southland Academy (SAR)	157.0	4	9	28	19	14	0	0
John Milledge Academy (JMA)	141.0	3	8	27	15	16	0	1
Trinity Christian School-Dublin (TCS-D)	115.0	3	6	21	10	13	0	0
Westfield School (WHS)	105.0	3	5	19	15	11	0	1
Windsor Academy (WAK)	92.0	2	5	16	10	11	0	1
Gatewood School (GHS)	88.0	0	6	22	16	9	0	1
Piedmont Academy (PAC)	67.0	0	6	16	16	9	0	1
Robert Toombs Christian Academy (RTCA)	66.0	2	4	13	8	6	0	0
Pinewood Christian Academy (PCA)	63.0	0	6	14	24	8	0	0
Terrell Academy (TAE)	60.0	1	3	11	8	9	0	1
Crisp Academy (CA)	44.0	1	2	8	10	6	0	0
Deerfield-Windsor School (DWS)	36.0	0	4	10	13	3	0	0
Tiftarea Academy (TIPT)	23.0	0	2	6	5	5	0	0
Valwood School (VAL)	23.0	0	1	5	3	4	0	0
Brentwood School (BHS)	18.0	0	1	4	2	3	0	0
Mill Springs Academy (MSA)	18.0	0	1	4	16	2	0	0
BYE (BYE)	5.0	0	1	2	11	0	0	0
BYE3 (BYE3)	1.0	0	0	1	4	0	0	0
BYE2 (BYE2)	0.0	0	0	0	10	0	0	0
BYE4 (BYE4)	0.0	0	0	0	2	0	0	0
Brandon Hall (B Hall)	0.0	0	0	0	2	0	0	0

106 ([back to top](#))



113 ([back to top](#))



122 H. Deriso (DWS) ^J		BYE			
Tal Godwin (Pinewood Christian Academy) ^J Pin					
12 T. Godwin (PCA) ^J					
394 E. Huff (JMA)		BYE		Champion	
Ford Wildes (Bulloch Academy) ^J Pin					
13 F. Wildes (BA) ^J					
123 F. Wildes (BA) ^J Pin		BYE			
Colman Fort (Southland Academy) ^J Pin					
14 C. Fort (SAR) ^J					
286 E. Martin (WHS) ^J 14-7		BYE			
Ethan Martin (Westfield School) ^J					
15 E. Martin (WHS) ^J					
124 E. Martin (WHS) ^J		BYE			
16 BYE (BYE2) ^J				1-0	
BYE (BYE2) ^J		BYE			
H. Deriso (DWS) ^J L-285					
L-9	125 B. James (WAK) ^J 1-0 Pin	L-124	229 B. James (WAK) ^J	339 B. James (WAK) ^J	
Brent James (Windsor Academy) ^J	BYE	287 B. James (WAK) ^J Third			
L-10	C. Fort (SAR) ^J Pin	L-123	230 C. Fort (SAR) ^J Pin	368 B. James (WAK)	
L-11	126 BYE		F. Wildes (BA) ^J		
L-12	T. Godwin (PCA) ^J L-286				
L-13	127 BYE	L-122	231 T. Godwin (PCA) ^J 15-0	340 F. Wildes (BA) ^J	
L-14	BYE (BYE) ^J 1-0		288 T. Godwin (PCA) ^J		
L-15	128 BYE	L-121	232 BYE (BYE) ^J		
L-16					
H. Deriso (DWS) ^J Fifth					
L-339 367 H. Deriso (DWS)					
T. Godwin (PCA) ^J Pin					
L-340					

120 (back to top)

Evan Smith (Mill Springs Academy) ^J		1. Jonathan Embro (WAK)			
17 E. Smith (MSA) ^J		2. Chance Blum (TCS-D)		3. Tanner Rundle (SAR)	
129 R. Griffin (PCA) ^J Pin		4. Riley Joyce (BA)		5. Mark Langston (JMA)	
Ian Kelly (Terrell Academy) ^J Pin		6. Ronnie Griffin (PCA)			
18 R. Griffin (PCA) ^J Pin		289 C. Blum (TCS-D) ^J Pin			
Ronnie Griffin (Pinewood Christian Academy) ^J Pin		BYE			
Chance Blum (Trinity Christian School-Dublin) ^J		130 C. Blum (TCS-D) ^J Pin			
19 C. Blum (TCS-D) ^J		Patrick Sapp (Westfield School) ^J Pin			
BYE		20 M. Langston (JMA) ^J 9-3		Champion	
130 C. Blum (TCS-D) ^J Pin		395 J. Embro (WAK)		Pin	
Patrick Sapp (Westfield School) ^J Pin		BYE			
Mark Langston (John Milledge Academy) ^J 9-3		131 J. Embro (WAK) ^J Pin			
Jonathan Embro (Windsor Academy) ^J Pin		22 R. Joyce (BA) ^J			
21 J. Embro (WAK) ^J		BYE			
Riley Joyce (Bulloch Academy) ^J Pin		290 J. Embro (WAK) ^J Pin			
22 R. Joyce (BA) ^J		BYE			
Tanner Rundle (Southland Academy) ^J Pin		132 T. Rundle (SAR) ^J			
23 T. Rundle (SAR) ^J		BYE			
BYE		BYE			
24					
R. Griffin (PCA) ^J L-289		L-132		233 I. Kelly (TAE) ^J 341 R. Joyce (BA) ^J	
L-17	133 I. Kelly (TAE) ^J BYE	L-15-12	291 R. Joyce (BA) ^J Third		
Ian Kelly (Terrell Academy) ^J	BYE Pin	L-131	234 R. Joyce (BA) ^J 7-1	370 T. Rundle (SAR)	
L-18	R. Joyce (BA) ^J	L-130	235 M. Langston (JMA) ^J Pin	342 T. Rundle (SAR) ^J	
L-19	134 P. Sapp (WHS) ^J 5-0	L-290	292 M. Langston (JMA) ^J		
Patrick Sapp (Westfield School) ^J	BYE	L-129	236 E. Smith (MSA) ^J		
L-20	M. Langston (JMA) ^J L-290				
L-21	135 BYE				
L-22	E. Smith (MSA) ^J Pin				
L-23	136 BYE				
L-24					
R. Griffin (PCA) ^J Fifth					
L-341 369 M. Langston (JMA)					
M. Langston (JMA) ^J Pin					
L-342					

126 (back to top)

BYE (BYE) ^J		2. Grayson Osborne (RTCA)		1. Cole Landreth (SAR)	
25 BYE (BYE) ^J		BYE		3. Jake Wasdin (BA)	
137 G. Osborne (RTCA) ^J 1-0		4. Corbin Burrell (PAC)		5. Jordan Cadieri (GHS)	
Grayson Osborne (Robert Toombs Christian Academy) ^J 1-0		6. BYE (BYE) ^J			
26 G. Osborne (RTCA) ^J		BYE			
293 G. Osborne (RTCA) ^J Pin		BYE			
Corbin Burrell (Piedmont Academy) ^J Pin					
27 C. Burrell (PAC) ^J					
138 C. Burrell (PAC) ^J					

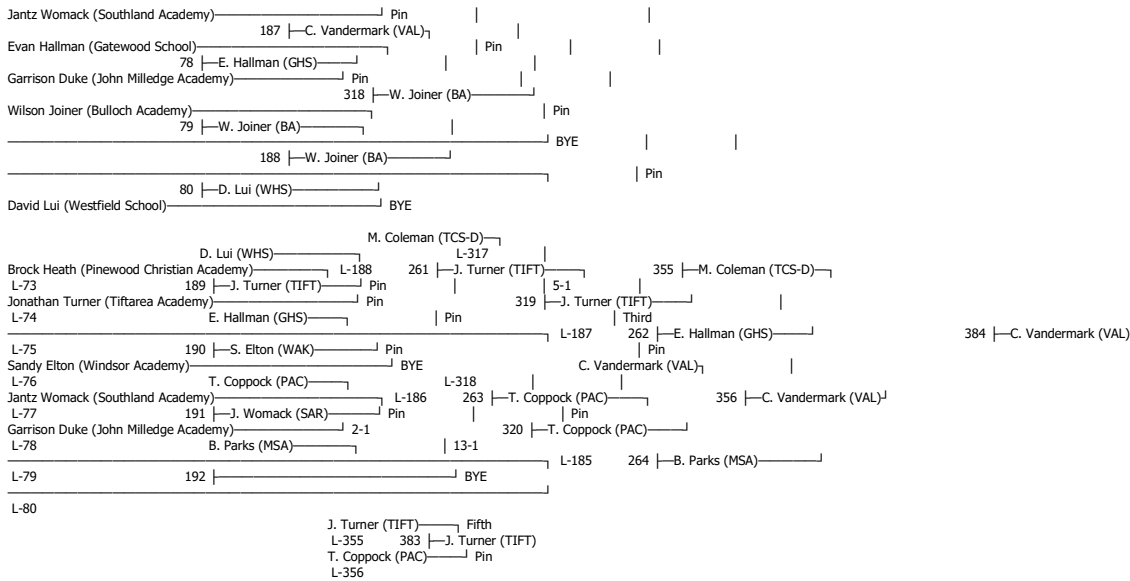
Jake Nelson (Bulloch Academy)	61 J. Nelson (BA)				4-0
		BYE			
Sam Copland (Southland Academy)	171 J. Nelson (BA)	Pin			
	62 S. Copland (SAR)				
		BYE			
Brandon Smith (John Milledge Academy)	310 J. Nelson (BA)	Pin			
	63 B. Smith (JMA)				
		BYE			
Justin Smith (Brandon Hall)	172 B. Smith (JMA)	Pin			
	64 J. Smith (B Hall)				
		BYE			
	J. Smith (B Hall)				
	D. Eaterline (CA)	L-309			
L-57	173 S. Duggan (GHS)	Pin	L-172	253 S. Duggan (GHS)	351 S. Duggan (GHS)
Sean Duggan (Gateway School)		BYE	7-5		
L-58	S. Copland (SAR)	Pin	311 S. Duggan (GHS)		
			Third		
L-59	174 C. Reventlow (DWS)	Pin	L-171	254 S. Copland (SAR)	380 B. Smith (JMA)
Clint Reventlow (Deerfield-Windsor School)		BYE			
L-60	T. Blake (PCA)	L-310			
L-61	175	BYE	L-170	255 T. Blake (PCA)	352 B. Smith (JMA)
				Pin	
L-62		BYE		312 T. Blake (PCA)	
L-63	176		L-169	256	
L-64					
	D. Eaterline (CA)	Fifth			
	L-351	379 D. Eaterline (CA)			
	T. Blake (PCA)	Pin			
	L-352				

160 (back to top)

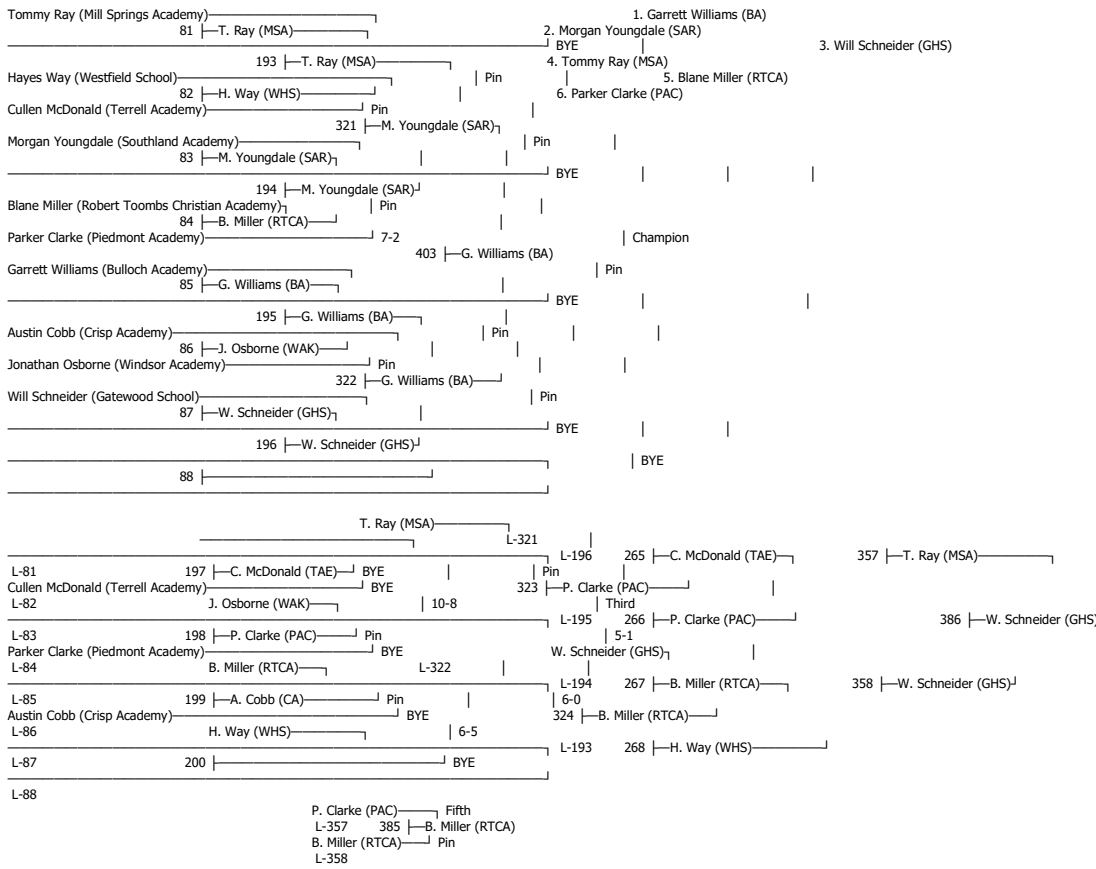
Jake Martin (Mill Springs Academy)	65 J. Martin (MSA)				1. Billy Tillman (BA)
					2. Cameron Kilgore (WAK)
					BYE
Tripp Lynch (Terrell Academy)	177 T. Lynch (TAE)	Pin			3. Tripp Lynch (TAE)
	66 T. Lynch (TAE)				4. Eli Diaz (BHS)
Aubrey Brown (Crisp Academy)		Pin			5. Raines McMichael (TCS-D)
	313 B. Tillman (BA)				6. Jones Strom (DWS)
Billy Tillman (Bulloch Academy)	67 B. Tillman (BA)				
					BYE
	178 B. Tillman (BA)	Pin			
Eli Diaz (Brentwood School)	68 E. Diaz (BHS)				
Michael Roberts (John Milledge Academy)	9-7				Champion
			401 B. Tillman (BA)		
Cameron Kilgore (Windsor Academy)					6-5
	69 C. Kilgore (WAK)				BYE
	179 C. Kilgore (WAK)	Pin			
Raines McMichael (Trinity Christian School-Dublin)					
	70 R. McMichael (TCS-D)	Pin			
Dalton James (Westfield School)					
	314 C. Kilgore (WAK)	Pin			
Jones Strom (Deerfield-Windsor School)					
	71 J. Strom (DWS)				BYE
	180 J. Strom (DWS)				BYE
	72				
	T. Lynch (TAE)	L-313			
L-65	181 A. Brown (CA)	BYE	L-180	257 A. Brown (CA)	353 T. Lynch (TAE)
Aubrey Brown (Crisp Academy)		BYE	Pin		
L-66	R. McMichael (TCS-D)	Pin	315 R. McMichael (TCS-D)		
			Third		
L-67	182 M. Roberts (JMA)	Pin	L-179	258 R. McMichael (TCS-D)	382 T. Lynch (TAE)
Michael Roberts (John Milledge Academy)		BYE	8-6		
L-68	E. Diaz (BHS)	L-314			
			J. Strom (DWS)		
L-69	183 D. James (WHS)	Pin	L-178	259 E. Diaz (BHS)	354 E. Diaz (BHS)
Dalton James (Westfield School)		BYE	Pin		
L-70	J. Martin (MSA)	Pin	316 E. Diaz (BHS)		
L-71	184	BYE	L-177	260 J. Martin (MSA)	
L-72					
	R. McMichael (TCS-D)	Fifth			
	L-353	381 R. McMichael (TCS-D)			
	J. Strom (DWS)	Forfeit			
	L-354				

170 (back to top)

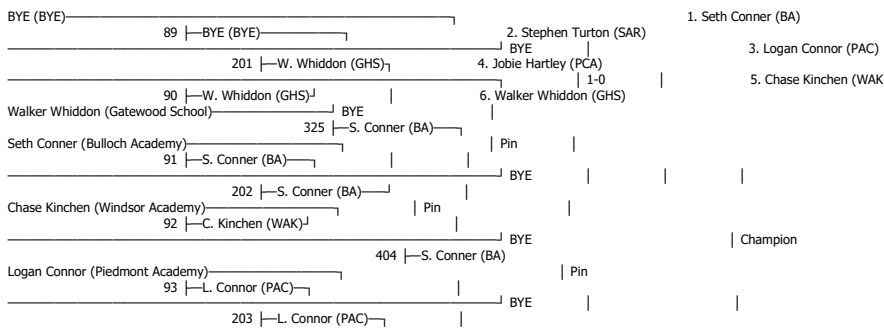
Brett Parks (Mill Springs Academy)	73 B. Parks (MSA)				1. Wilson Joiner (BA)
					2. Evans Plowden (TAE)
Brock Heath (Pinewood Christian Academy)	9-3				3. Colin Vandermark (VAL)
	185 M. Coleman (TCS-D)	Pin			4. Matt Coleman (TCS-D)
Matt Coleman (Trinity Christian School-Dublin)					5. Jonathan Turner (TIFT)
	74 M. Coleman (TCS-D)	Pin			6. Tanner Coppock (PAC)
Jonathan Turner (Tiftarea Academy)					
	317 E. Plowden (TAE)	Pin			
Tanner Coppock (Piedmont Academy)					BYE
	75 T. Coppock (PAC)				
	186 E. Plowden (TAE)	Pin			
Evans Plowden (Terrell Academy)					
	76 E. Plowden (TAE)	Pin			
Sandy Elton (Windsor Academy)					Champion
Colin Vandermark (Valwood School)					
	402 W. Joiner (BA)	Pin			
	77 C. Vandermark (VAL)				



182 (back to top)



195 (back to top)



Jobie Hartley (Pinewood Christian Academy) 94 —J. Hartley (PCA) Kevin VanCise (Westfield School) 326 —S. Turton (SAR) Stephen Turton (Southland Academy) 95 —S. Turton (SAR)	Pin				
204 —S. Turton (SAR)		BYE			
96 —BYE (BYE2)				1-0	
BYE (BYE2)					BYE
BYE (BYE2)		W. Whiddon (GHS) L-325			
L-89	205 —BYE (BYE2)	L-204	269 —BYE (BYE2)	359 —J. Hartley (PCA)	
L-90	J. Hartley (PCA) 1-0	Third	327 —J. Hartley (PCA)		
L-91	206 —BYE (BYE2)	L-203	270 —J. Hartley (PCA)	388 —L. Connor (PAC)	
L-92	C. Kinchen (WAK) L-326		Pin L. Connor (PAC)		
L-93	207 —K. VanCise (WHS)	L-202	271 —C. Kinchen (WAK)	360 —L. Connor (PAC)	
Kevin VanCise (Westfield School) L-94	BYE (BYE) 1-0		328 —C. Kinchen (WAK)		
L-95	208 —BYE (BYE2)	L-201	272 —BYE (BYE2)		
L-96					
	W. Whiddon (GHS) Fifth L-359 387 —C. Kinchen (WAK) C. Kinchen (WAK) 11-1 L-360				

220 (back to top)

Michael Healey (Mill Springs Academy) 97 —M. Healey (MSA)		1. Tyce Lovett (BA)			
209 —C. Young (TCS-D)		2. Chris Young (TCS-D)			3. Hunter Hulett (JMA)
Chris Young (Trinity Christian School-Dublin) 98 —C. Young (TCS-D)	Pin	BYE			
Korbett MacGregor (Pinewood Christian Academy) 329 —C. Young (TCS-D)	Pin	4. Stephen Barnes (SAR)			
Hunter Hulett (John Milledge Academy) 99 —H. Hulett (JMA)		5. Ben Smith (PAC)			
210 —H. Hulett (JMA)		6. Dillon Massey (TIFT)			
Dillon Massey (Tiftarea Academy) 100 —D. Massey (TIFT)	Pin				
405 —T. Lovett (BA)					Champion
Stephen Barnes (Southland Academy) 101 —S. Barnes (SAR)					
211 —S. Barnes (SAR)					
Ben Smith (Piedmont Academy) 102 —B. Smith (PAC)	Pin				
330 —T. Lovett (BA)					
Tyce Lovett (Bulloch Academy) 103 —T. Lovett (BA)					
212 —T. Lovett (BA)					
104 —BYE (BYE2)				1-0	
BYE (BYE)					
BYE (BYE)		H. Hulett (JMA) L-329			
L-97	213 —K. MacGregor (PCA)	L-212	273 —K. MacGregor (PCA)	361 —H. Hulett (JMA)	
Korbett MacGregor (Pinewood Christian Academy) L-98	BYE B. Smith (PAC)		331 —B. Smith (PAC)		
L-99	214 —BYE (BYE2)	Third	274 —B. Smith (PAC)	390 —H. Hulett (JMA)	
L-100	D. Massey (TIFT) L-330		Pin S. Barnes (SAR)		
L-101	215 —BYE (BYE2)	L-210	275 —D. Massey (TIFT)	362 —S. Barnes (SAR)	
L-102	M. Healey (MSA) Pin		Pin 332 —D. Massey (TIFT)		
L-103	216 —BYE (BYE2)	L-209	276 —M. Healey (MSA)		
L-104					
	B. Smith (PAC) Fifth L-361 389 —B. Smith (PAC) D. Massey (TIFT) Pin L-362				

285 (back to top)

Noah Terpstra (Mill Springs Academy) 105 —N. Terpstra (MSA)		1. GC Kimbrell (BA)			
217 —J. MacGregor (PCA)		2. Ragan Norman (SAR)			3. Weston Wallace (GHS)
Hank Yu (Valwood School) 106 —J. MacGregor (PCA)	Pin	BYE			
Joseph MacGregor (Pinewood Christian Academy) 333 —GC Kimbrell (BA)		4. Joseph MacGregor (PCA)			
GC Kimbrell (Bulloch Academy) 107 —GC Kimbrell (BA)		6. Jay Sheets (PAC)			
218 —GC Kimbrell (BA)					
Jay Sheets (Piedmont Academy) 108 —J. Sheets (PAC)	8-1				
406 —GC Kimbrell (BA)					Champion
Weston Wallace (Gatewood School) 109 —W. Wallace (GHS)					
219 —W. Wallace (GHS)					
Weston Webb (Trinity Christian School-Dublin) 110 —W. Webb (TCS-D)	4-0				

} BYE				
	334 —R. Norman (SAR)—			
Ragan Norman (Southland Academy)				Pin
	111 —R. Norman (SAR)—			
} BYE				
	220 —R. Norman (SAR)—			
} BYE				
BYE (BYE2)	112 —BYE (BYE2)—			1-0
} BYE				
	J. MacGregor (PCA)			
	BYE (BYE2)			
	L-333			
L-105	221 —H. Yu (VAL)—	1-0		
Hank Yu (Valwood School)				BYE
L-106	W. Webb (TCS-D)			Pin
} BYE				
L-107	222 —			BYE
} BYE				
L-108	J. Sheets (PAC)			L-334
} BYE				
L-109	223 —			BYE
} BYE				
L-110	N. Terpstra (MSA)			Pin
} BYE				
L-111	224 —			BYE
} BYE				
L-112				
	W. Webb (TCS-D)			Fifth
	L-363	391 —W. Webb (TCS-D)—		
	J. Sheets (PAC)			6-3
	L-364			
L-220	277 —H. Yu (VAL)—			363 —J. MacGregor (PCA)—
	Pin			
L-220	335 —W. Webb (TCS-D)—			
	Third			
L-219	278 —W. Webb (TCS-D)—			392 —W. Wallace (GHS)—
	6-3			
	W. Wallace (GHS)			
} BYE				
L-218	279 —J. Sheets (PAC)—			364 —W. Wallace (GHS)—
	Pin			
	336 —J. Sheets (PAC)—			
} BYE				
L-217	280 —N. Terpstra (MSA)—			